

# For Openers™ 3-in-1 Beverage Opener

Factory Direct Volume Pricing

**Specialty Ad!**  
*Custom Imprinting  
Order Form for  
Corporate Volumes*

Twist,



Flip,



Pry!



- **Promotional Product  
Corporate Branding  
Advertising**
- *Keychain opener for  
bottles or cans*
- *Made from  
die-cast recycled  
aluminum*
- *1.75" diameter*

**Personalize your  
beverage openers  
with your company  
or event logo!**

For volume pricing info  
please contact Leisure Products  
at 1-866-377-0638 or  
[info@leisureproductscanada.com](mailto:info@leisureproductscanada.com)



*Prices include base colour and 1 imprint colour (additional colours add 10¢ per piece, per colour).  
Art, film & set up charges are \$85.00 per design.*

**Base colours available:** Gloss white, gloss black, antique white, royal blue, navy blue, brown, gold, silver, forest green, gloss green, gray, burgundy, orange, pink, purple, red, beige, teal, yellow

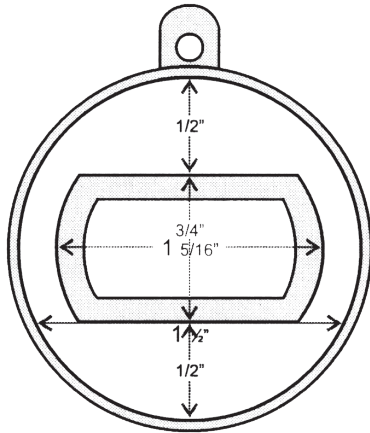
**Imprint colours:** any Pantone™ colour (please specify PMS number)

Artwork to be supplied as EPS, CorelDraw or Adobe Illustrator.

[www.leisureproductscanada.com](http://www.leisureproductscanada.com)

[info@leisureproductscanada.com](mailto:info@leisureproductscanada.com)

Printed In Canada



**Printable area dimensions (Actual size)**

Base Key Color: \_\_\_\_\_

1st Imprint colour: \_\_\_\_\_

2nd Imprint colour: \_\_\_\_\_

3rd Imprint colour: \_\_\_\_\_

Other Instructions: \_\_\_\_\_

\_\_\_\_\_

\_\_\_\_\_

\_\_\_\_\_

Customer Billing Information	Shipping Address	Order	Total
Name:	Name:	Quantity _____	
Address:	Address:	Additional ink charges	
City/Town:	City/Town:	One-time art, film & set up charges	\$85.00
Province / State:	Province / State:		
Postal / Zip Code:	Postal / Zip Code:		
Phone:	Phone:	<b>SUBTOTAL</b>	=
Fax:	Fax:	<b>SHIPPING</b>	=
Contact Name:	Contact Name:	<b>APPLICABLE TAX</b>	=
Email:	Email:	<b>TOTAL</b>	=

**Shipping F.O.B. Ladysmith, BC** (CDN Customers) (All shipping is prepaid and added to invoice)  
**or Blaine, WA** (US Customers)

Shipping: Allow 4-6 weeks from receipt of your PO  
 Terms: 50% deposit required with order, balance due upon receipt of product.

\_\_\_\_\_  
 CUSTOMER SIGNATURE

**Leisure Products Canada - Division of Tyler Holdings Ltd.**

470 Louise Road, Ladysmith, BC V9G 1V8 Canada  
 Email: info@leisureproductscanada.com • Web: www.leisureproductscanada.com  
 Phone: (250) 924-4708 • Fax: (250) 924-3395 • Toll Free: 1-866-377-0638